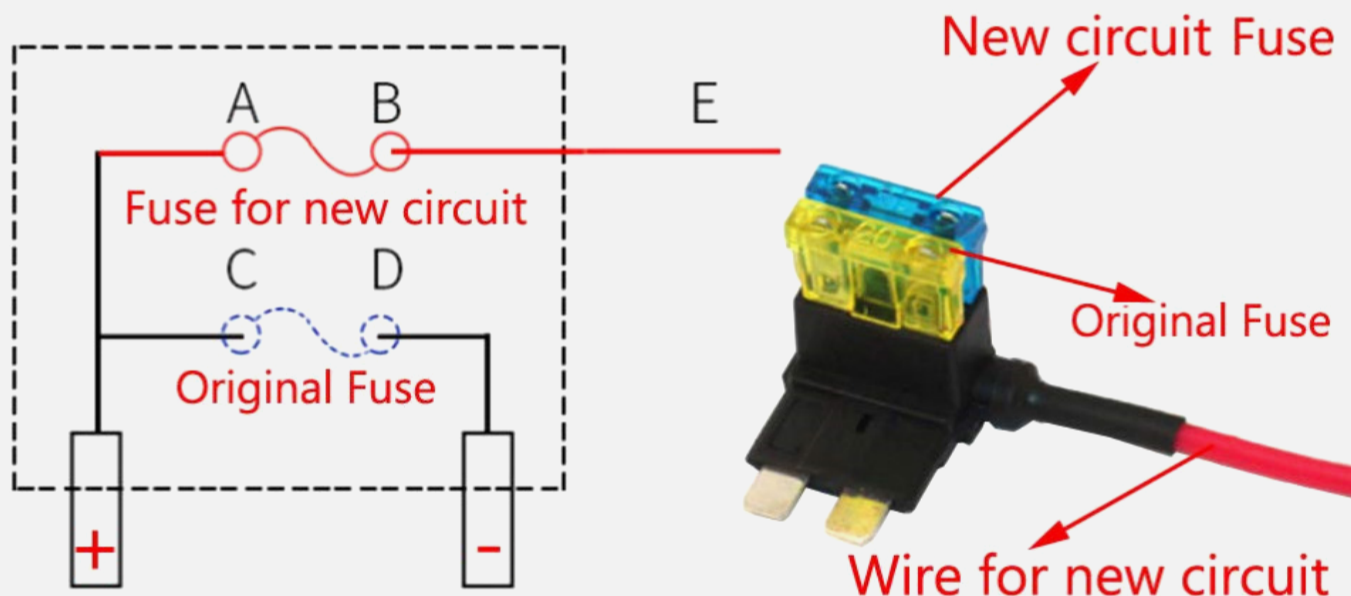


The wiring/Fuse box location for your vehicle would be dependent upon each individual vehicle type and your choice of installation location.

**\*\*You will need to ensure all wiring is securely connected.\*\***

- ① Connect the black wire to a ground bolt/lug near the fuse board and your chosen installation location.
- ② You must select a permanently live Fuse from the fuse board
- ③ Follow the diagram below and insert the fuse holder once it has both fuses inserted.



- ④ Check that both lights are flashing on the device.
- ⑤ Secure the tracker with the self-adhesive backing. Ensure both lights are still flashing when you have located it. Remember this must be in a waterproof environment.
- ⑥ Take the vehicle on a short drive and call us on 01206 482524 to ensure the asset is reporting properly and set up your account.

If you are in any way not confident in installing these devices yourself, it is recommended that you take it to your local engineer/mechanic for installation – if you would like to use our engineering service, please feel free to call us to arrange (this will be at a charge of £55+vat per vehicle install). TruTrak are not responsible for any damaged caused when self-installing this product.